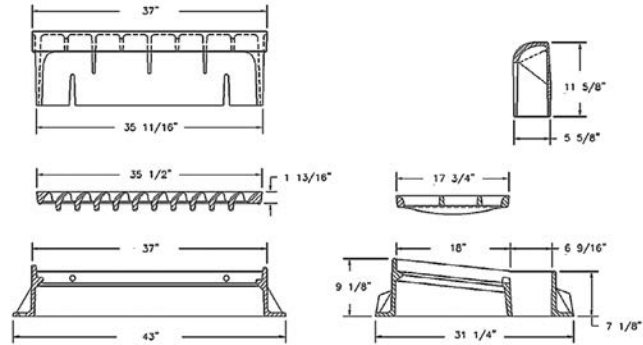


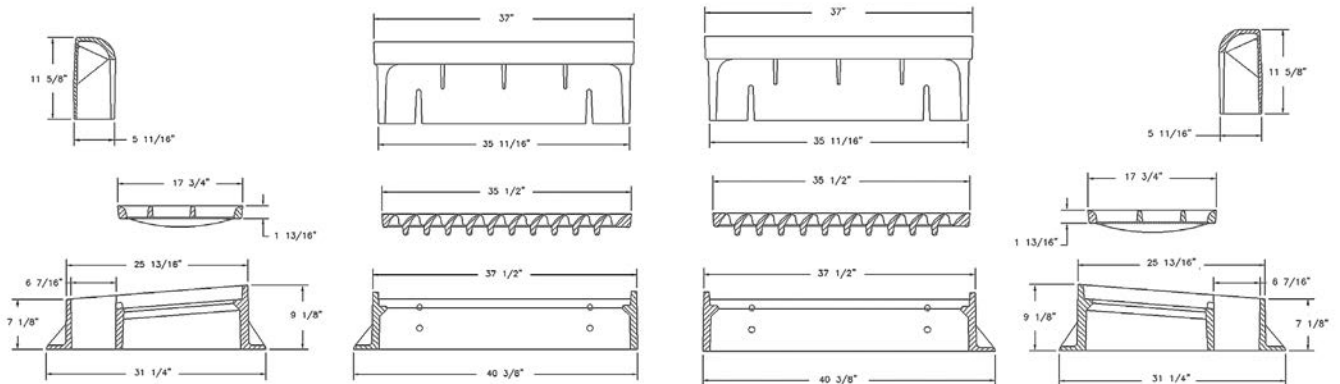
7035 CATCH BASIN CURB INLET

Heavy duty
 With Type M6 Grate and T6 Back.
 260 sq. in. open area
 Curb back height adjusts from 3 1/4" to 9"
 "DUMP NO WASTE!" lettering and fish image
 Accepts 7030 grates and backs
 Double unit available — 7036



7036 CATCH BASIN CURB INLET

Heavy duty
 Double 7035
 With 7030 Type M vane grate and T6 back
 520 sq. in. open area
 Curb back height adjusts from 6" to 10"
 Accepts 7030 grates and backs
 "DUMP NO WASTE!" lettering and fish image on all 7030 backs



Supplied By:



877-903-7246
 www.trenchdrainsupply.com

